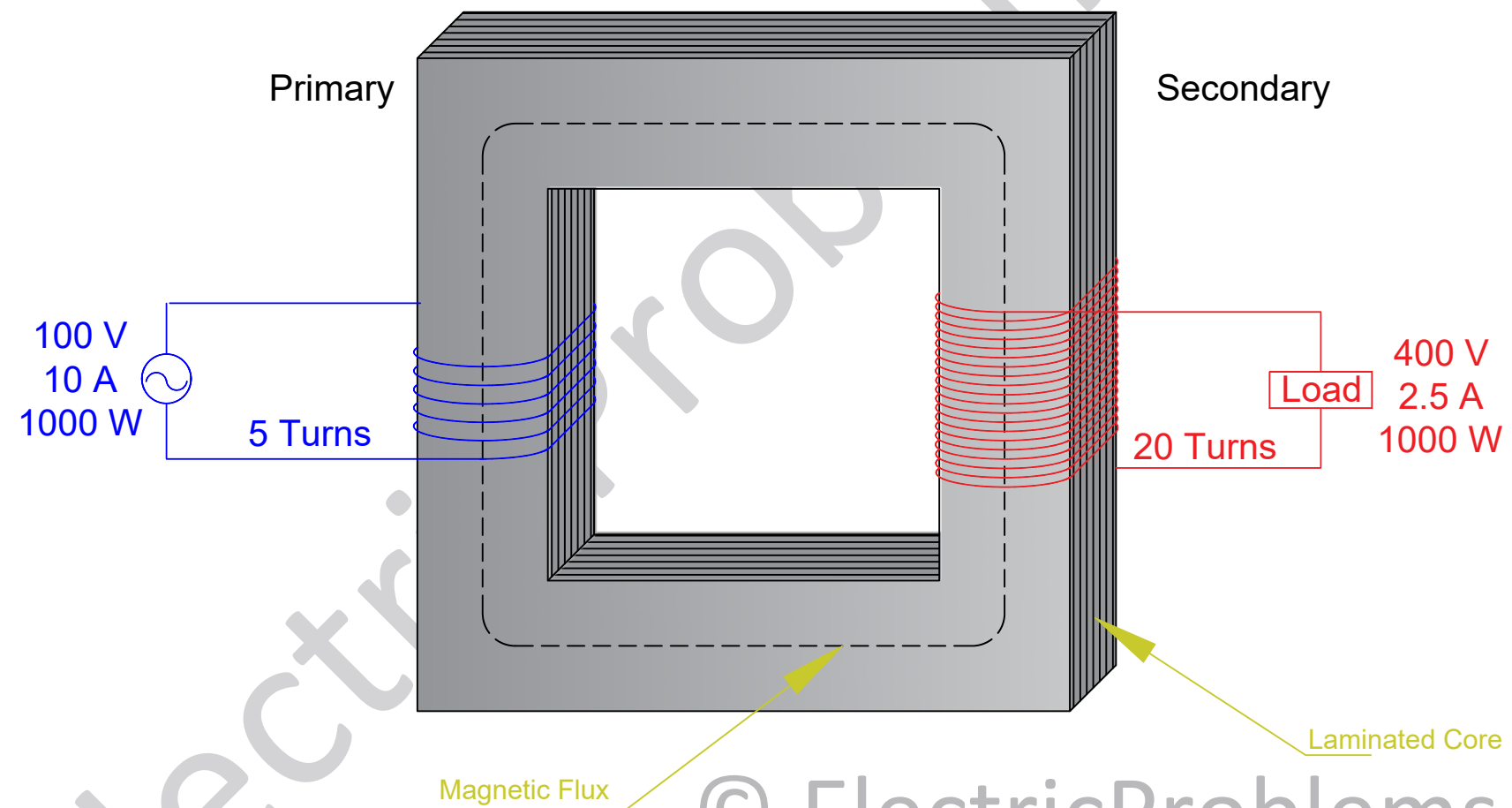


Step-Up Transformer

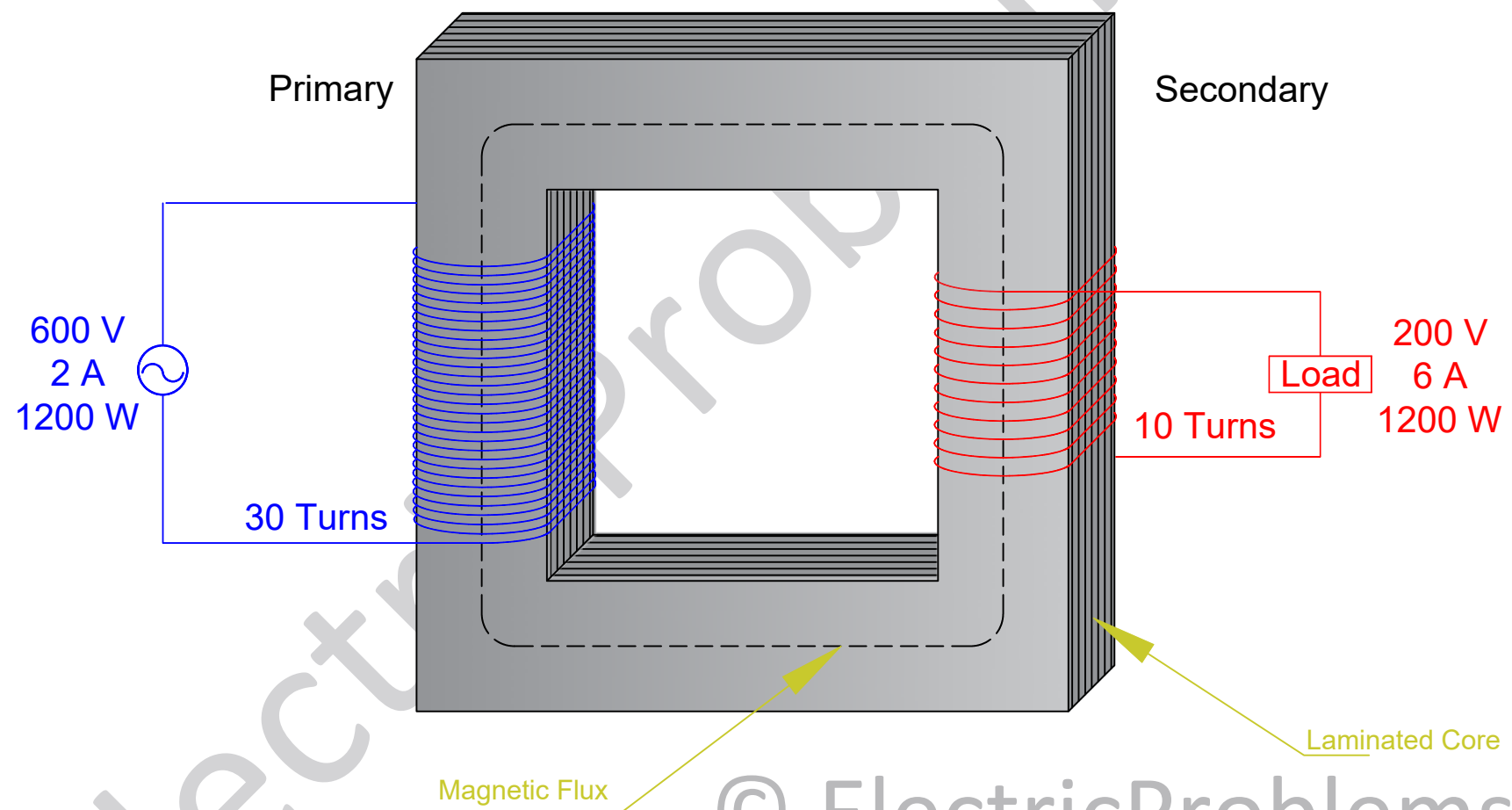
© ElectricProblems.com



© ElectricProblems.com

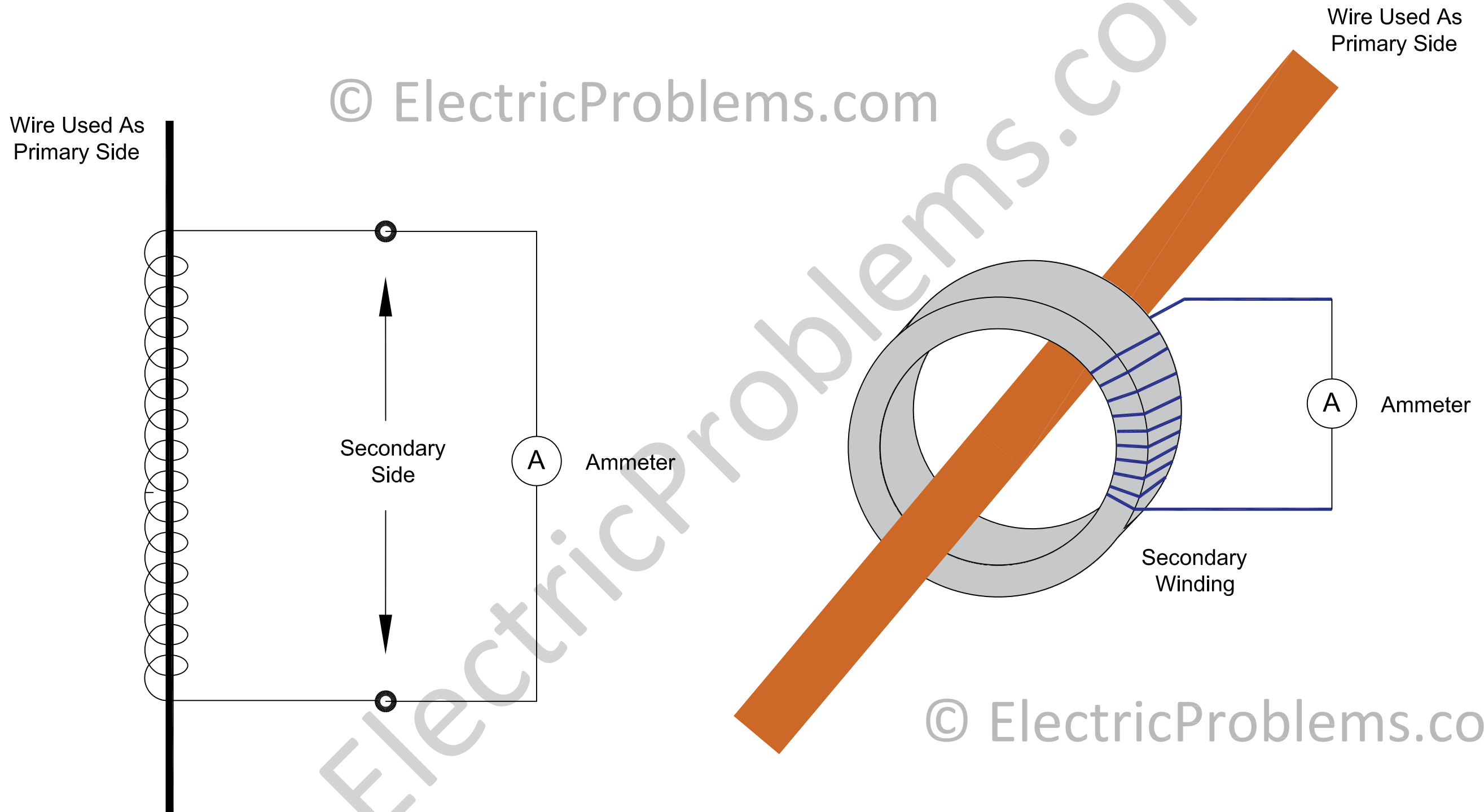
Step-Down Transformer

© ElectricProblems.com



© ElectricProblems.com

Current Transformer

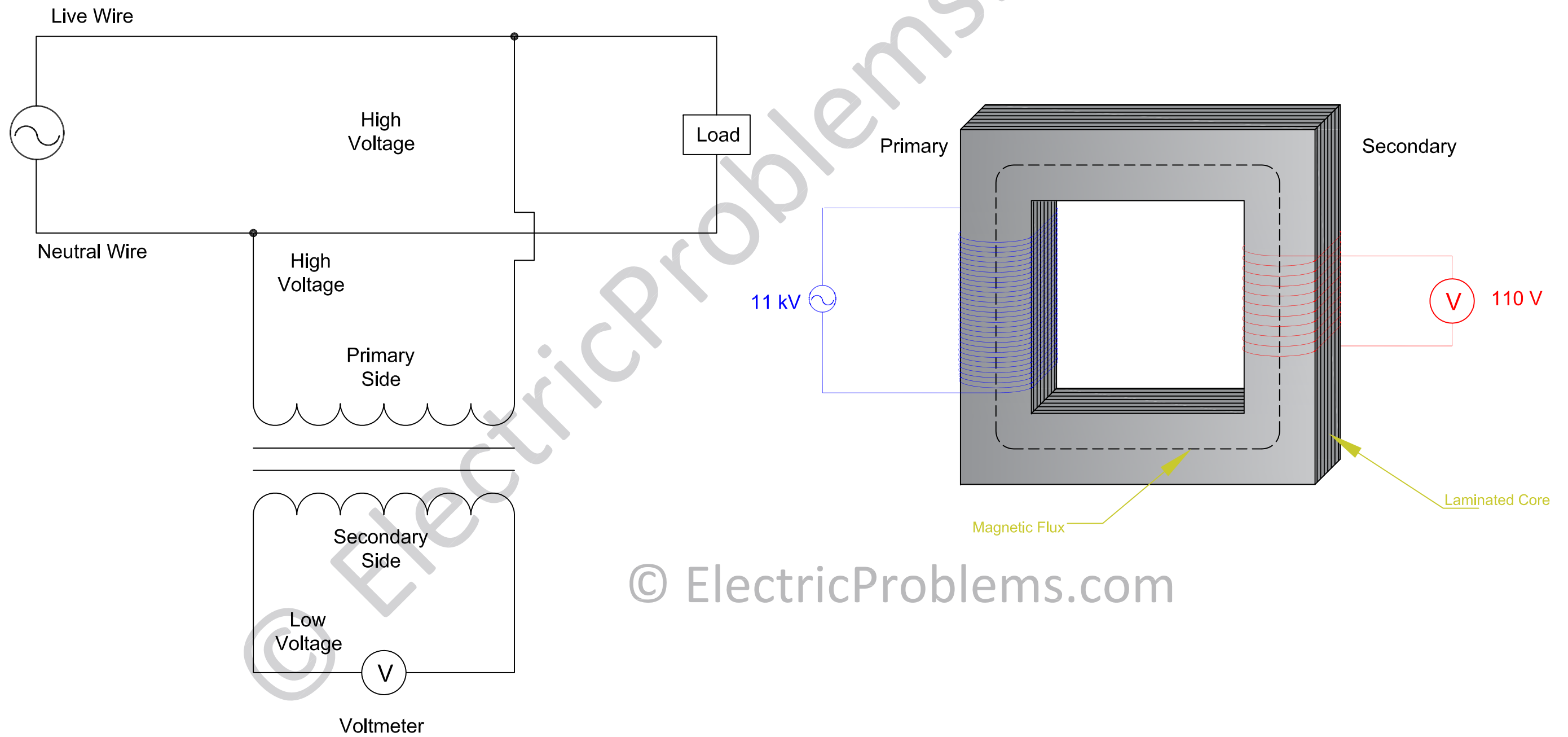


© ElectricProblems.com

© ElectricProblems.com

Potential Transformer

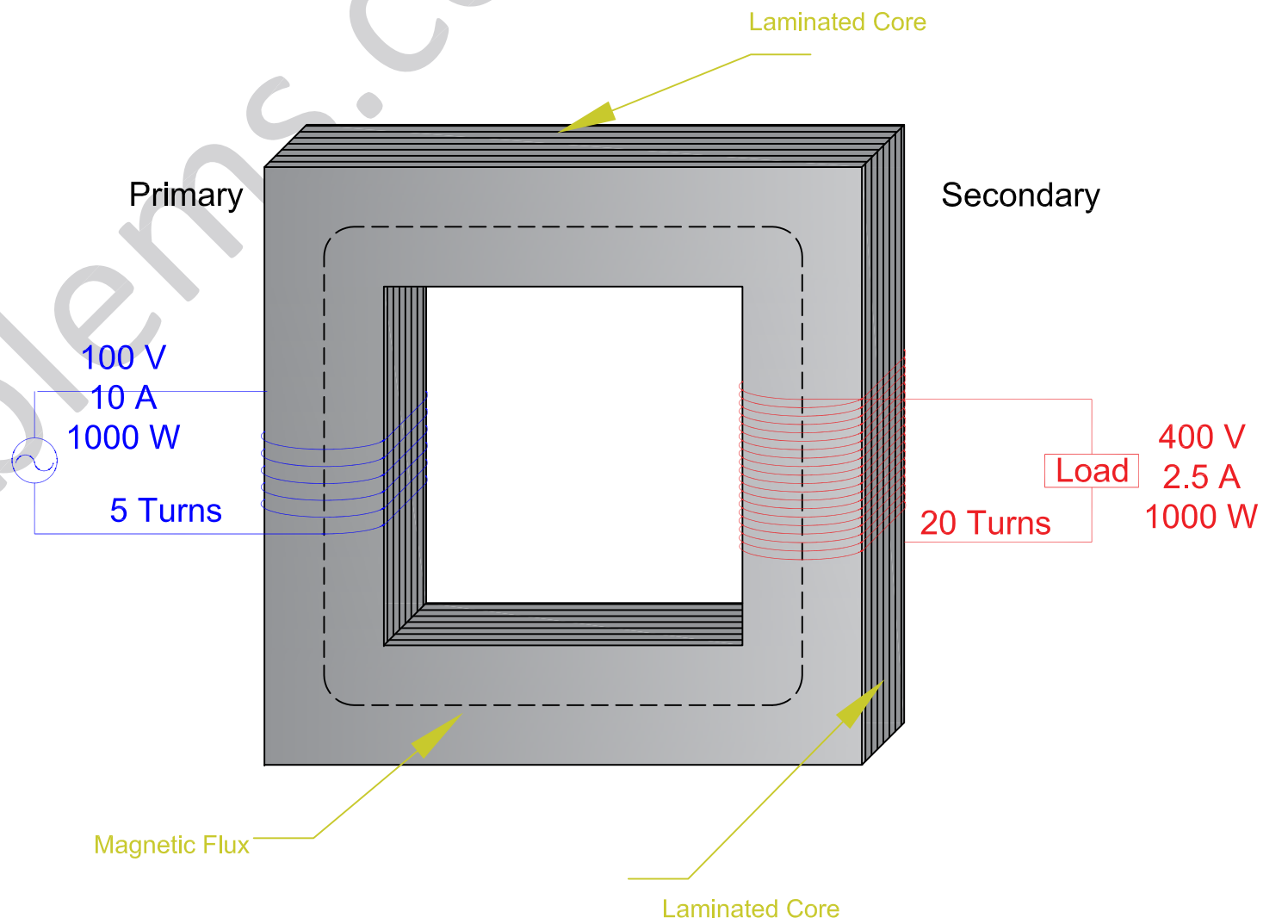
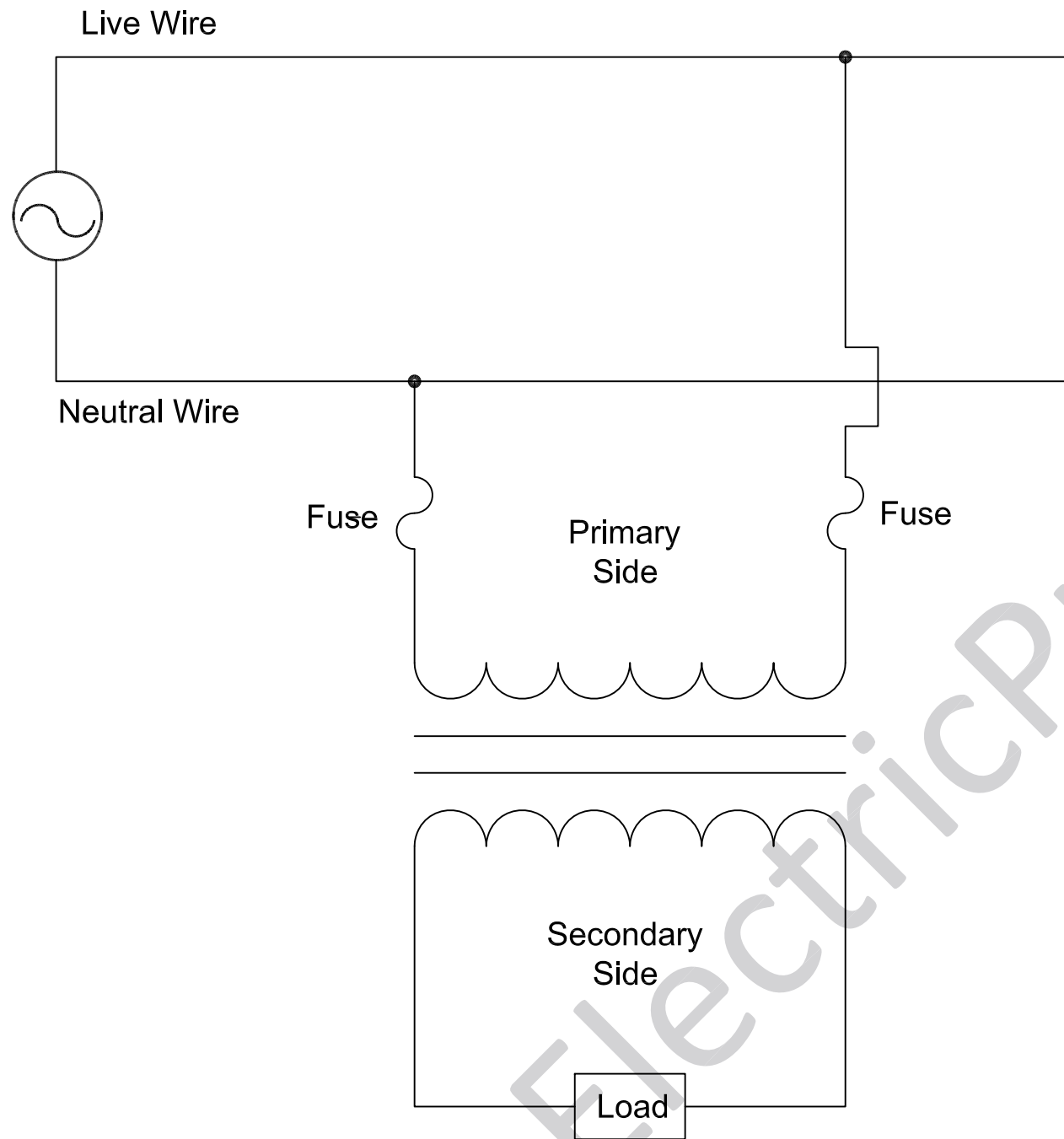
© ElectricProblems.com



© ElectricProblems.com

Single-Phase Transformer

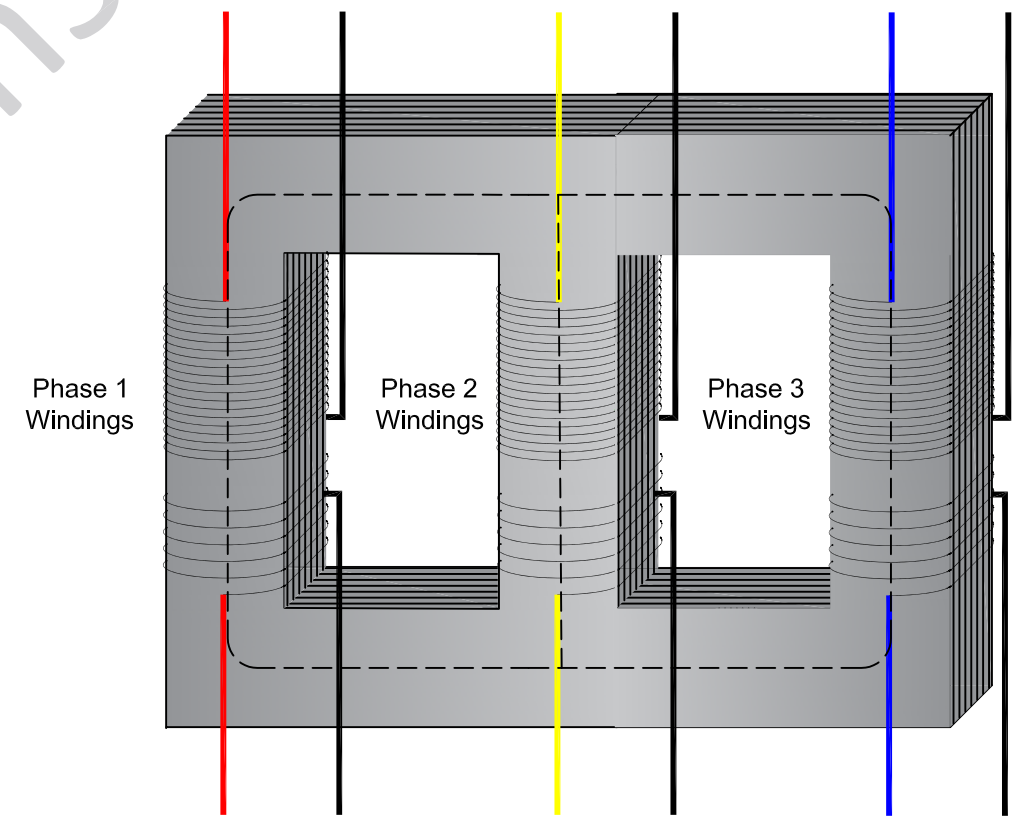
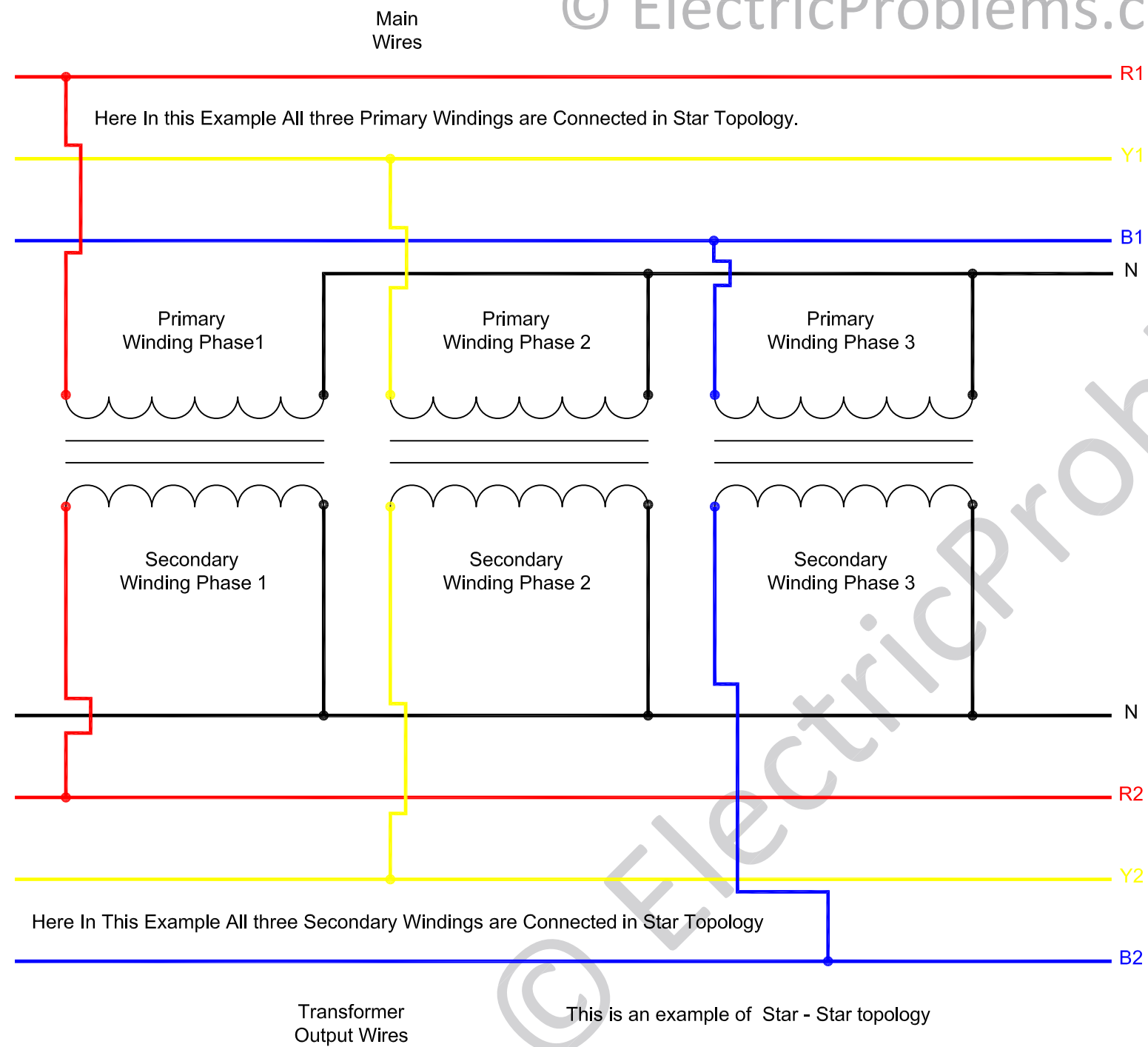
© ElectricProblems.com



© ElectricProblems.com

Three-Phase Transformer

© ElectricProblems.com



To Load

© ElectricProblems.com