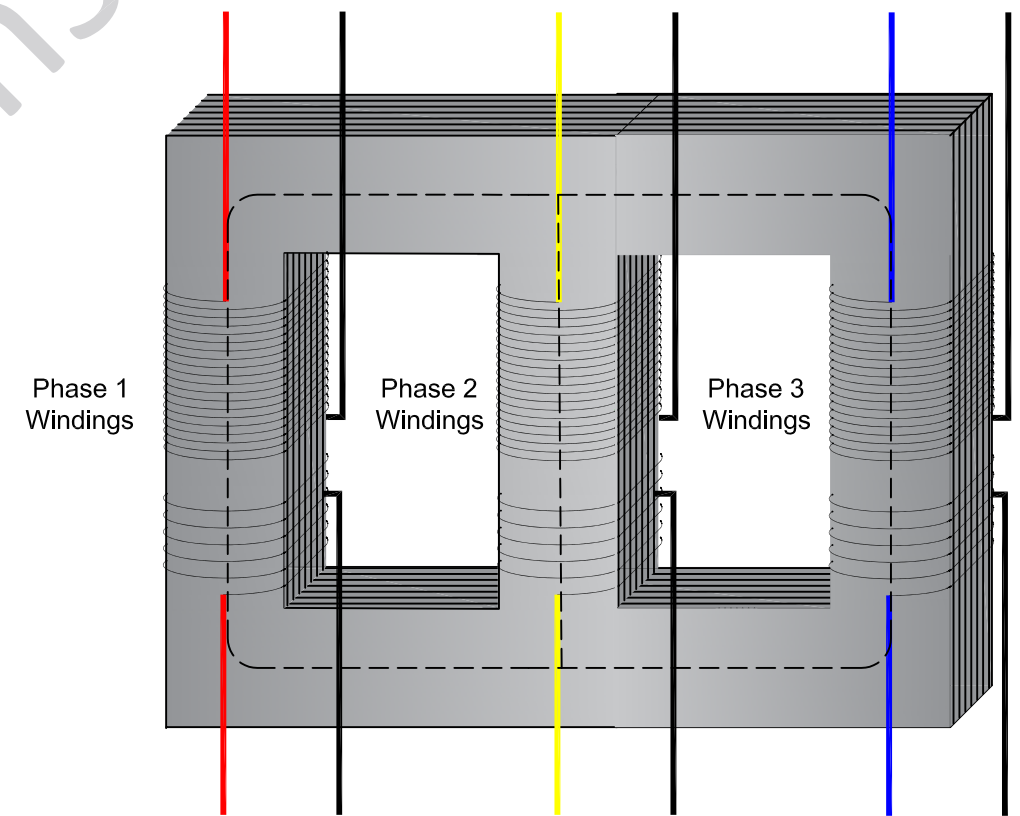
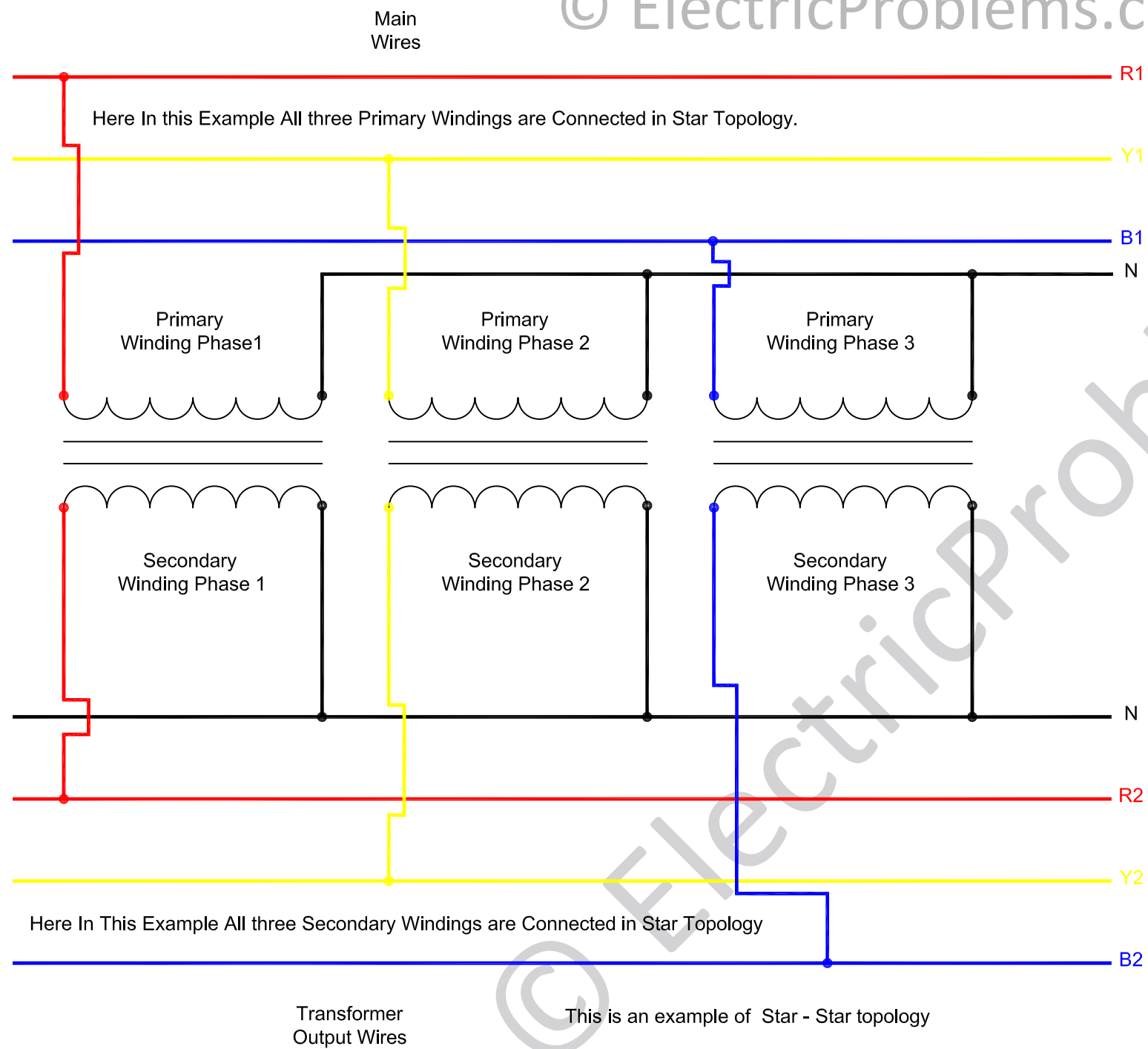


Three-Phase Transformer

© ElectricProblems.com



To Load

© ElectricProblems.com